

0x00000000 [0,0]

Contents: [Dobrica Pavlinu's random unstructured stuff]

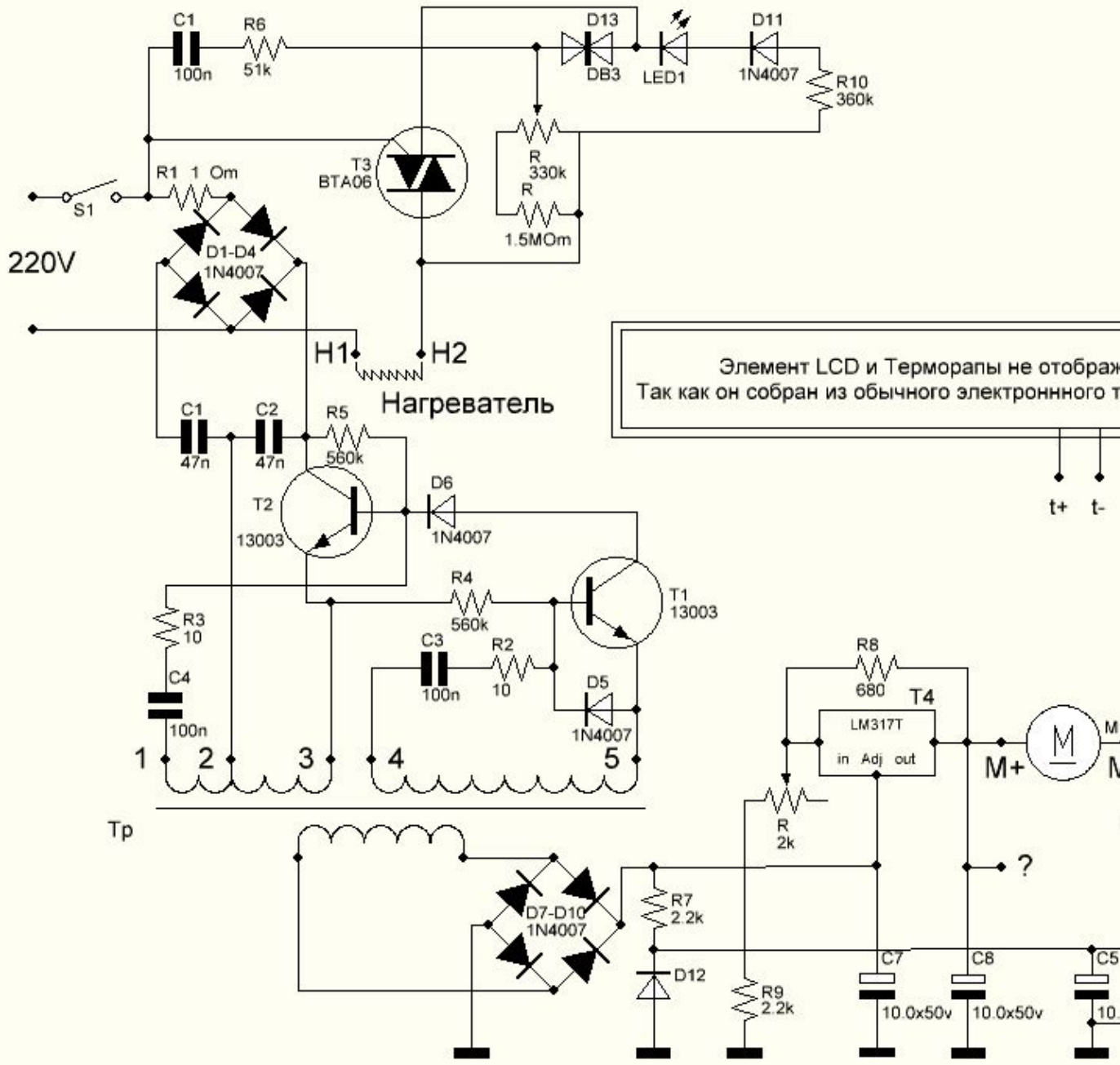
- Dobrica Pavlinu's random unstructured stuff (GONGJUE 8018LCD)
 - ◆ Dobrica Pavlinu's random unstructured stuff (schematics)
 - ◆ Dobrica Pavlinu's random unstructured stuff (board)
- Dobrica Pavlinu's random unstructured stuff (ideas for upgrade with mcu controll)

GONGJUE 8018LCD

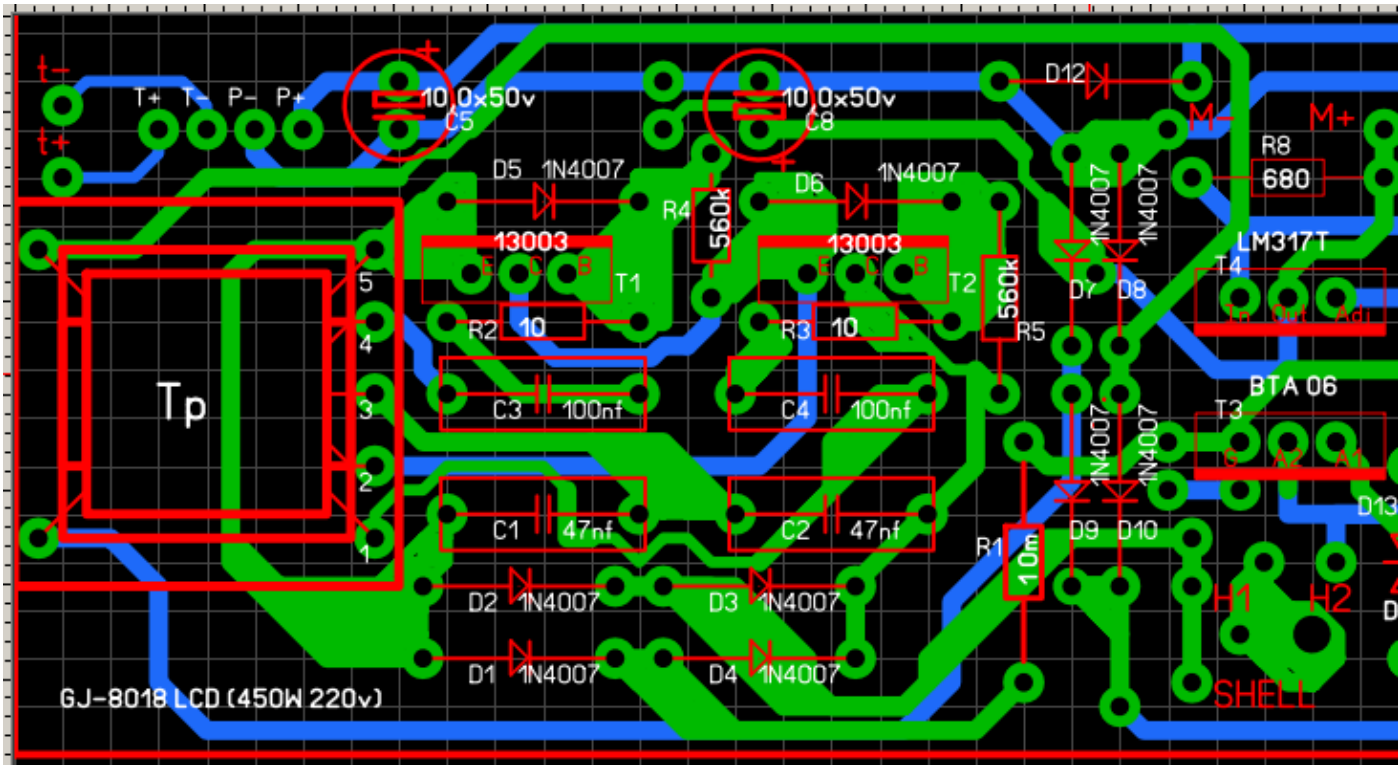
- <http://www.banggood.com/8018LCD-220V-450-Degree-LCD-Adjustable-Electronic-Heat-Hot-Air-Gun>
- <https://www.youtube.com/watch?v=XsxOuK5ZzRI>

schematics

Паяльный фен - DJ-8018LCD



board



[Sprint-Layout60_Viewer.exe](#)

[HGunCJ8018LCD_ZRN.lay6](#)

- <http://imgur.com/a/yyhHi>

ideas for upgrade with mcu controll

- Arduino based hot air, similar to what we need: <https://www.instructables.com/id/Cheap-Hot-Air-Station-With-Arduino/>
- Alternative firmware for different station: <https://github.com/madworm/Youyue-858D-plus>